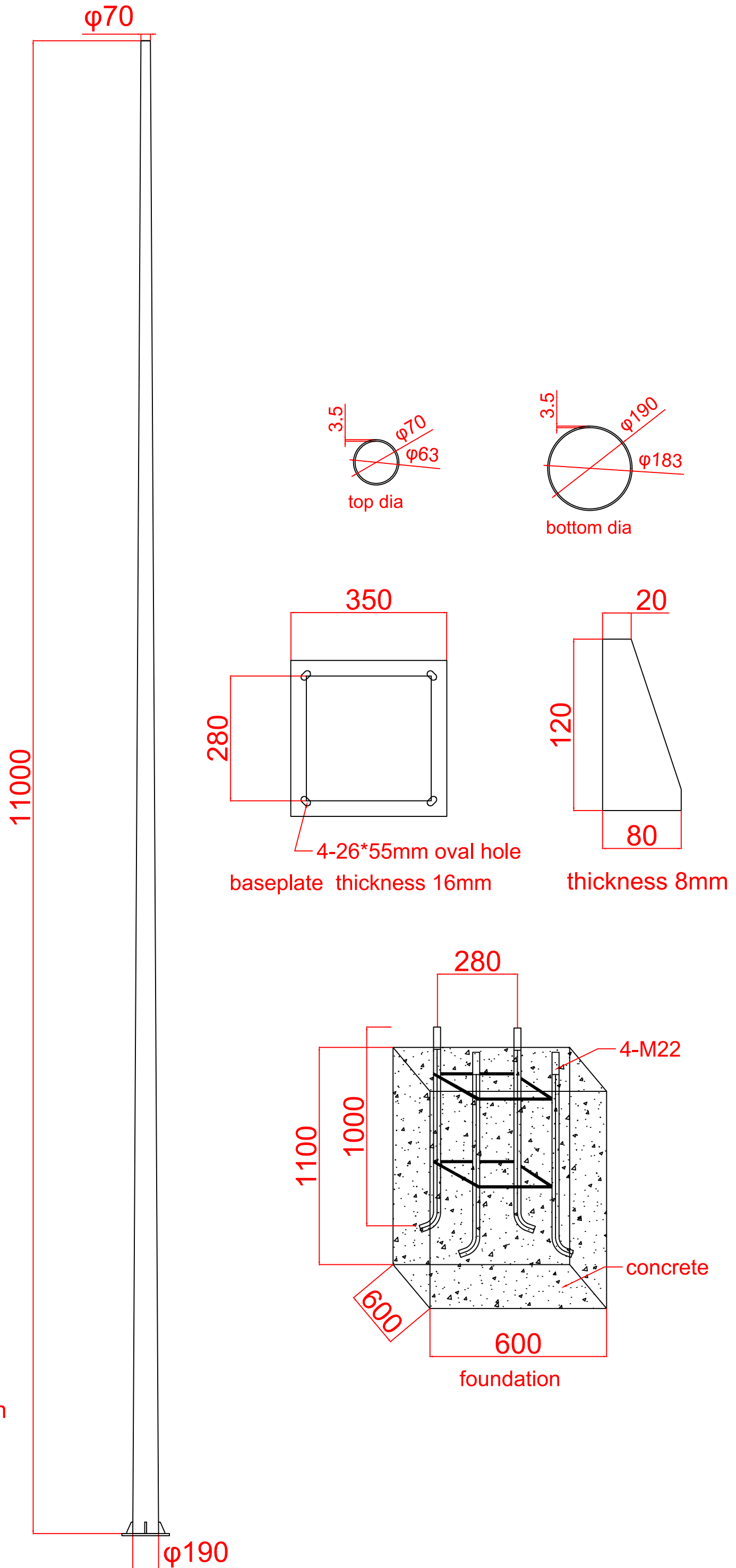


11m light pole drawing



height:11m

thickness:3.5mm

top dia:70mm

bottom dia:190mm

hot dip galvanized

$\phi 190$

$\phi 70$

3.5

$\phi 70$

$\phi 63$

top dia

3.5

$\phi 190$

$\phi 183$

bottom dia

350

280

4- $\phi 26 \times 55$ mm oval hole

baseplate thickness 16mm

20

120

80

thickness 8mm

280

1100

1000

4-M22

concrete

600

600

foundation