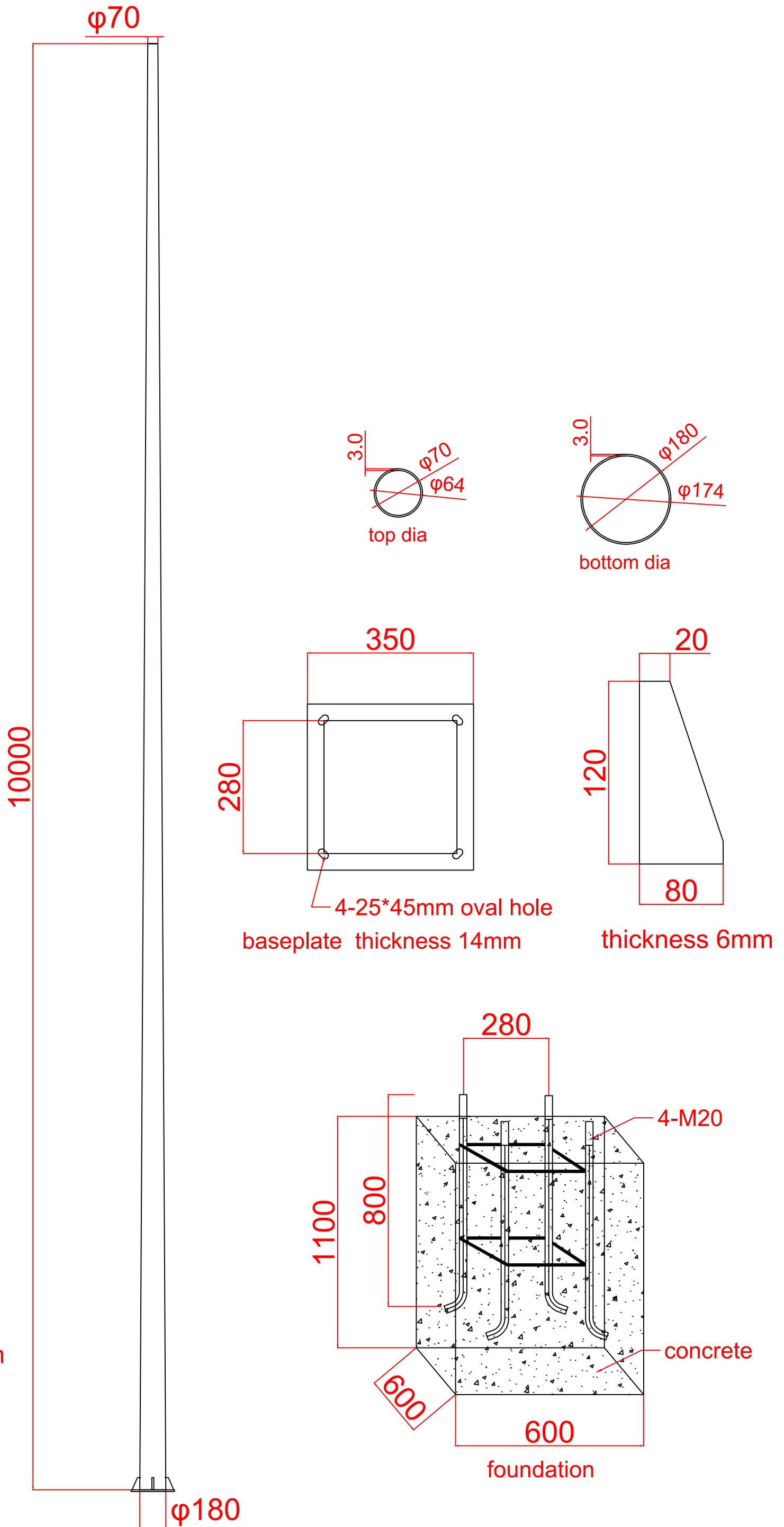


10m light pole drawing



height:10m

thickness:3.0mm

top dia:70mm

bottom dia:180mm

hot dip galvanized

10000

$\phi 70$

3.0

$\phi 70$

$\phi 64$

top dia

3.0

$\phi 180$

$\phi 174$

bottom dia

350

280

20

120

80

4-25*45mm oval hole
baseplate thickness 14mm

thickness 6mm

280

1100

800

4-M20

concrete

600

600

foundation

$\phi 180$