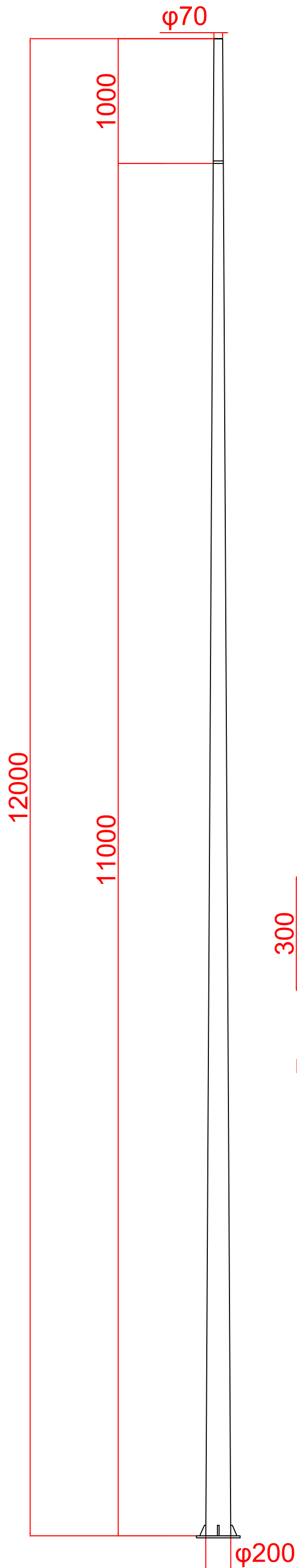


# 12m light pole drawing



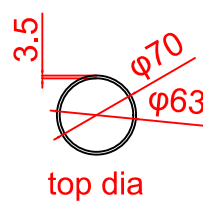
height:12m

thickness:3.5mm

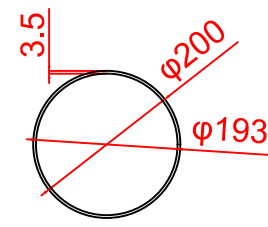
top dia:70mm

bottom dia:200mm

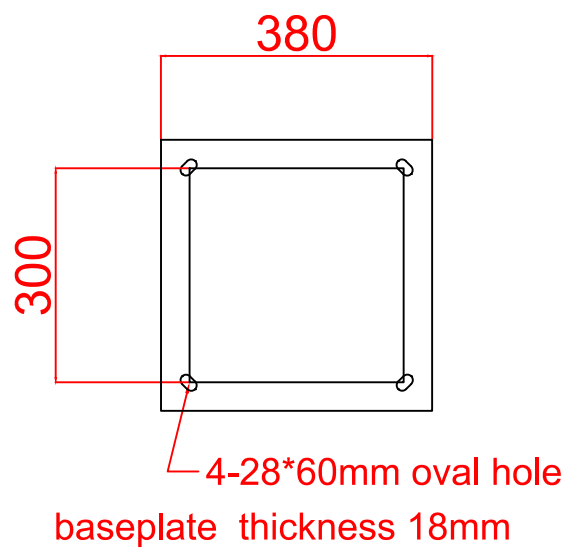
hot dip galvanized



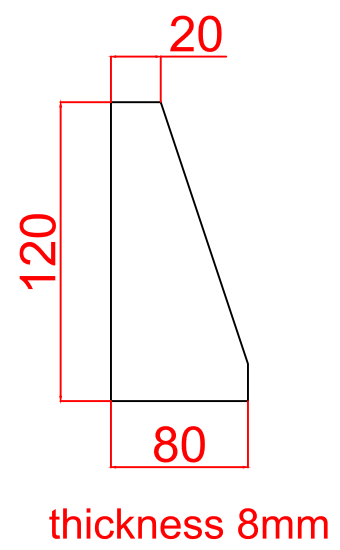
top dia



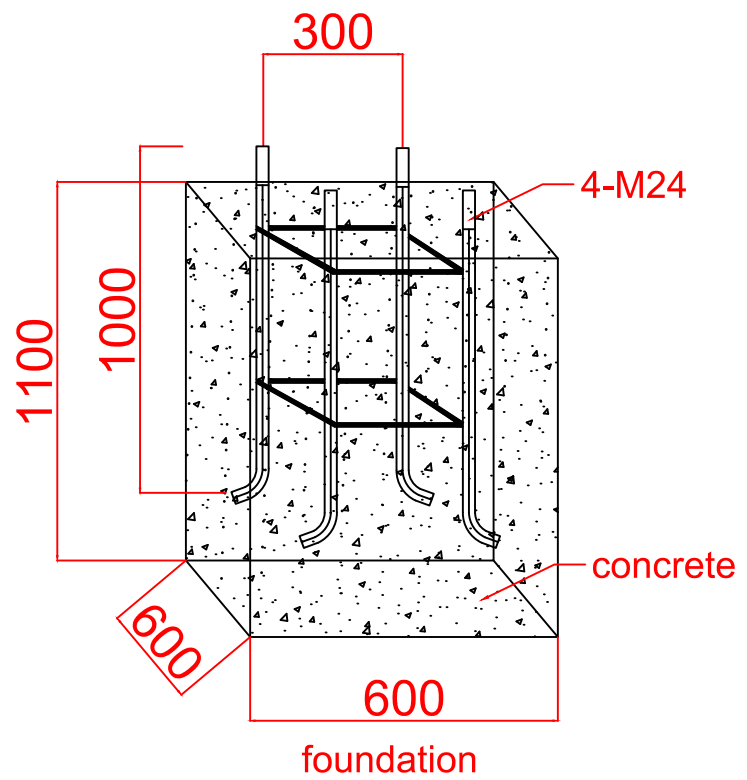
bottom dia



baseplate thickness 18mm



thickness 8mm



foundation